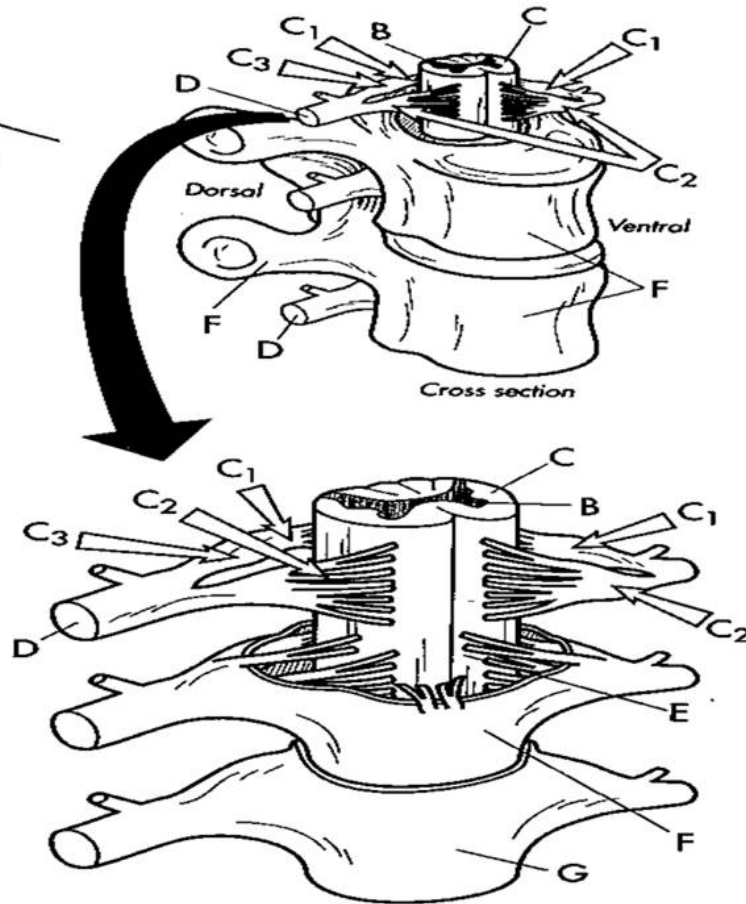
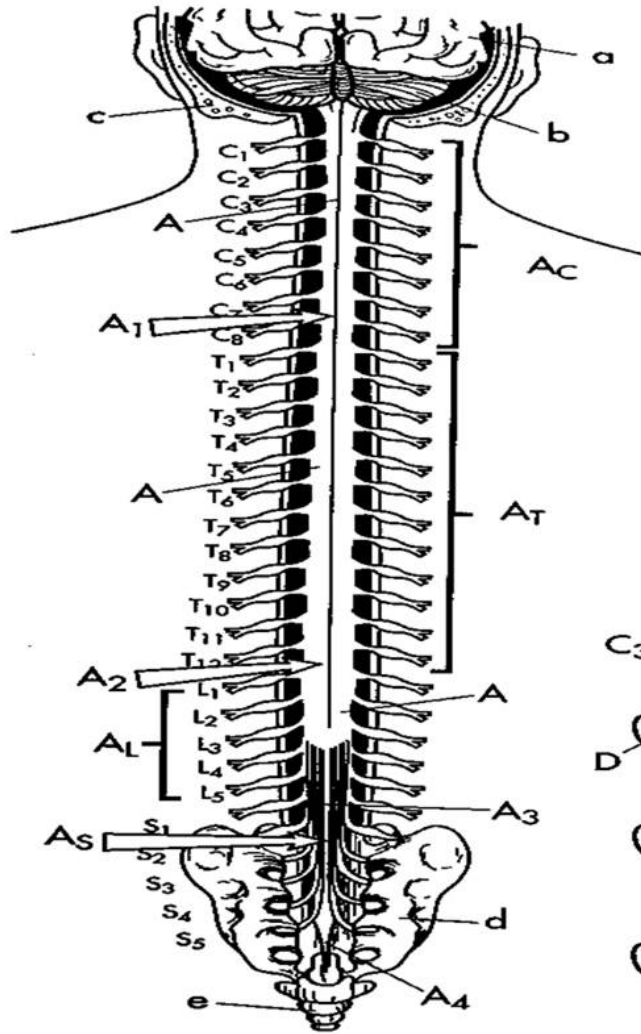


ANATOMY OF THE SPINAL CORD



- Spinal cord A ○
- Cervical enlargement A1 ○○
- Lumbar enlargement A2 ○○
- Conus medullaris A3 ○○
- Filum terminale A4 ○○
- Cervical segment AC ○○
- Thoracic segment AT ○○
- Lumbar segment AL ○○
- Sacral segment AS ○

- Gray matter B ○
- White matter C ○○
- Dorsal root C1 ○○
- Ventral root C2 ○○
- Dorsal root ganglion C3 ○○
- Spinal nerve D ○○
- Pia mater E ○○
- Arachnoid F ○○
- Dura mater G ○○
- Cerebrum a ○○
- Cerebellum b ○○
- Occipital bone c ○○
- Sacrum d ○○
- Coccyx e ○