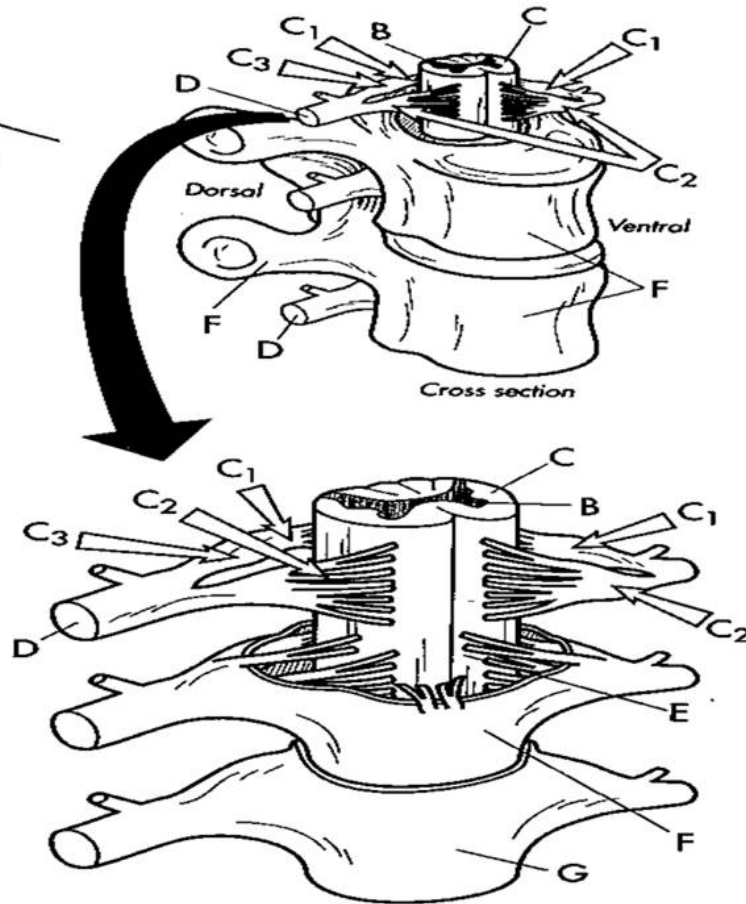
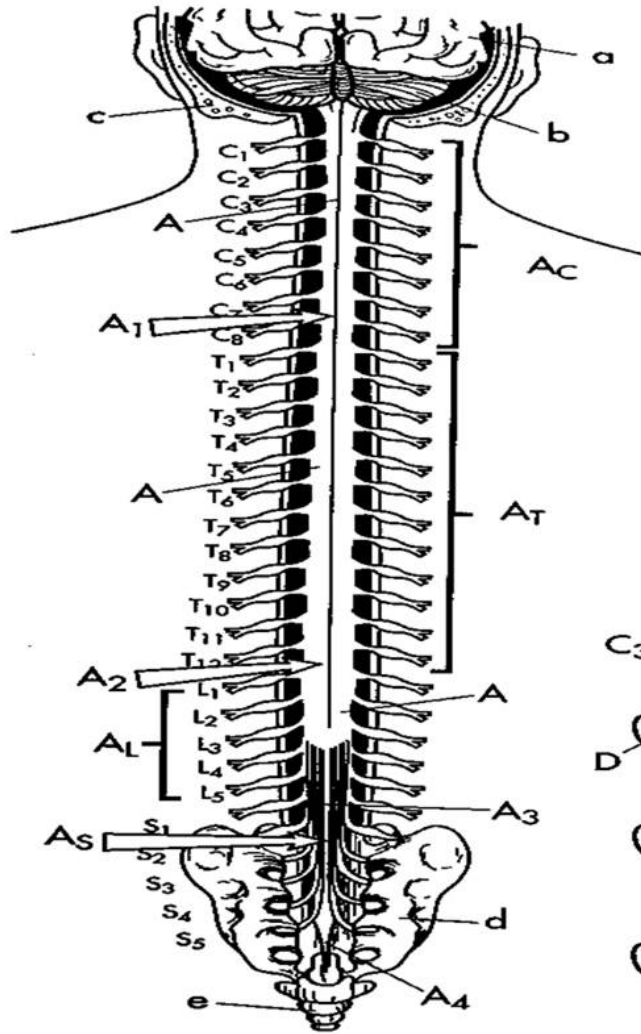


# ANATOMY OF THE SPINAL CORD



- Spinal cord                    A            ○
- Cervical enlargement        A1          ○ ○
- Lumbar enlargement        A2          ○ ○
- Conus medullaris            A3          ○ ○
- Filum terminalis             A4          ○ ○
- Cervical segment            AC          ○ ○
- Thoracic segment            AT          ○ ○
- Lumbar segment              AL          ○ ○
- Sacral segment               AS          ○

- Gray matter                    B            ○
- White matter                  C            ○ ○
- Dorsal root                    C1          ○ ○
- Ventral root                   C2          ○ ○
- Dorsal root ganglion        C3          ○ ○
- Spinal nerve                  D            ○ ○
- Pia mater                      E            ○ ○
- Arachnoid                      F            ○ ○
- Dura mater                     G            ○ ○
- Cerebrum                      a            ○ ○
- Cerebellum                    b            ○ ○
- Occipital bone                c            ○ ○
- Sacrum                          d            ○ ○
- Coccyx                          e            ○